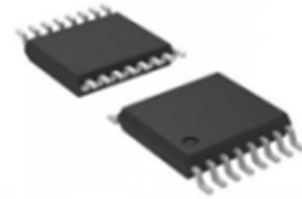


## Low Noise, Low Power Dissipation, 16/24-Bit $\Sigma$ - $\Delta$ ADC

### PRODUCT DESCRIPTION

The MS5192ET/MS5193ET is a 16bit/24bit ADC with low power dissipation, low noise, three differential input channels. It integrates input buffer and low-noise instrumentation amplifier. When the gain is set to 64 and the update rate is 4.17Hz, the root mean square noise is 25nV. The MS5192ET/MS5193ET integrates internal band gap reference featured by high-precision, low noise and low drift. It can also use external differential reference voltage. The programmable excitation current source, burnout current source and bias voltage generator are also integrated. The bias voltage generator can set the channel common-mode voltage to  $0.5 \times AVDD$ .

The chip uses an external clock or internal clock, and the output data rate can be set from 4.17Hz to 470Hz by register settings. The power supply ranges from 2.7V to 5.25V. The MS5192ET/MS5193ET is available in TSSOP16 package.



TSSOP16

### FEATURES

- RMS Noise: 25nV @4.17Hz; 30nV@16.7Hz
- Power Dissipation: 380 $\mu$ A (Typ)
- Integrated PGA
- Integrated Voltage Reference with Low Temperature Drift
- Update Rate: 4.17Hz to 470Hz
- Integrated 50Hz/60Hz Rejection Filter
- Integrated Programmable Current Source
- Integrated Bias Voltage Generator
- Power Supply: 2.7V to 5.25V
- Operating Temperature Range: -40°C to 105°C

### APPLICATIONS

- Thermocouple, RTD Measurement
- Stress Detection
- Gas Analysis and Blood Analysis
- Industrial Process Control and Instrumentation
- Liquid and Gas Chromatograph
- Smart Transmitter
- 6-bit DVM

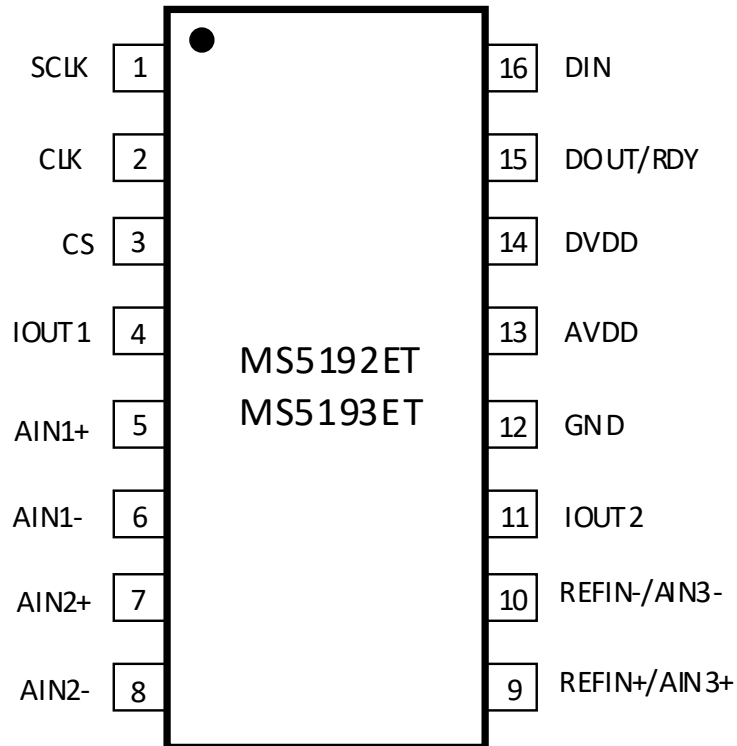
### PRODUCT SPECIFICATION

Part Number	Package	Marking
*MS5192ET	TSSOP16	MS5192ET
MS5193ET	TSSOP16	MS5193ET

\* The package is not available temporarily. if necessary, please contact Hangzhou Ruimeng Sales Department Center.



**PIN CONFIGURATION**

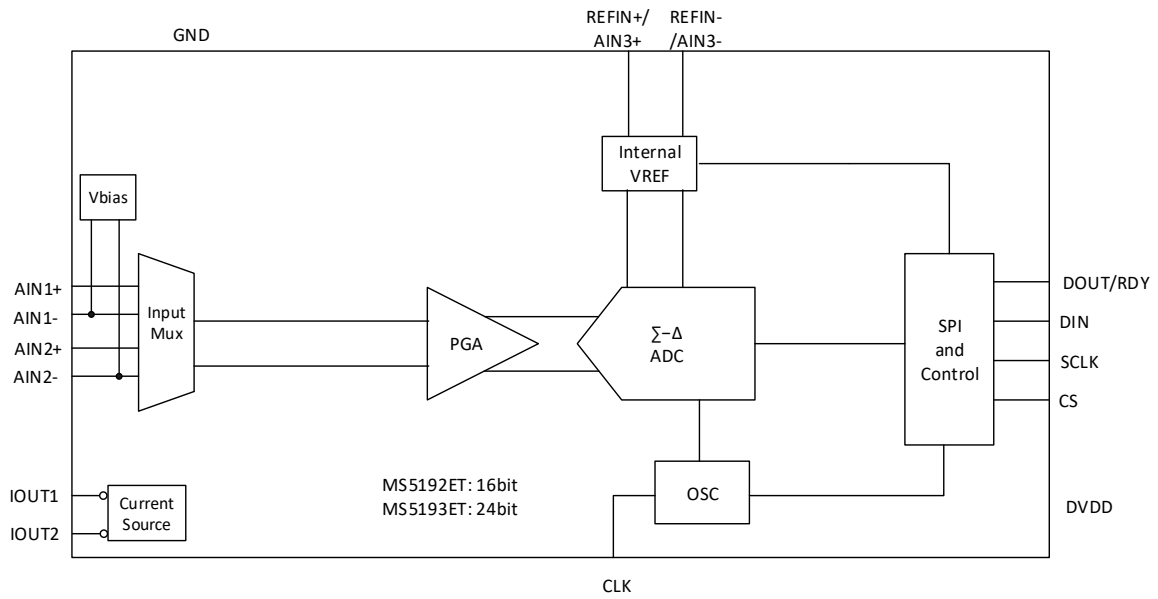


**PIN DESCRIPTION**

Pin	Name	Type	Description
1	SCLK	I	Serial Clock Input
2	CLK	I	Clock Input/Clock Output. Provide or Disable Internal Clock.
3	CS	I	Chip Select Input
4	IOUT1	O	Output Pin for Internal Excitation Current Source
5	AIN1+	I	Analog Channel 1 Positive Input
6	AIN1-	I	Analog Channel 1 Negative Input
7	AIN2+	I	Analog Channel 2 Positive Input
8	AIN2-	I	Analog Channel 2 Negative Input
9	REFIN+/AIN3+	I	Positive Reference Voltage Input Pin. In addition, this pin can be used as analog channel 3 positive input
10	REFIN-/AIN3-	I	Negative Reference Voltage Input Pin. In addition, this pin can be used as analog channel 3 negative input
11	IOUT2	O	Output Pin for Internal Excitation Current Source
12	GND	I	Ground
13	AVDD	-	Analog Power Supply (2.7V to 5.25 V)
14	DVDD	-	Digital Interface Power Pin
15	DOUT/RDY	O	Serial Data Output/Data Ready Output Pin
16	DIN	I	Serial Data Input



**BLOCK DIAGRAM**



**ABSOLUTE MAXIMUM RATINGS**

Any exceeding absolute maximum rating application causes permanent damage to device. Because long-time absolute operation state affects device reliability. Absolute ratings just conclude from a series of extreme tests. It doesn't represent chip can operate normally in these extreme conditions.

Parameter	Symbol	Range	Unit
Analog Power Supply	AVDD	-0.3 ~ +7.0	V
Digital Power Supply	DVDD	-0.3 ~ +7.0	V
Analog Input Voltage	A <sub>IN</sub>	-0.3 ~ AVDD+0.3	V
Reference Voltage	VREFIN	-0.3 ~ AVDD+0.3	V
Digital Input Voltage		-0.3 ~ DVDD+0.3	V
Digital Output Voltage	V(LE)	-0.3 ~ DVDD+0.3	V
Input Port Current		10	mA
Operating Temperature		-40 ~ 105	°C
Storage Temperature	T <sub>stg</sub>	-65 ~ 150	°C
Lead Temperature (10 sec)		260	°C
ESD (HBM)		4000	V



**ELECTRICAL CHARACTERISTICS**

AVDD=2.7V to 5.25V, DVDD=2.7V to 5.25V, GND=0V, REFIN(+)=AVDD, REFIN(-)=0V.

Unless otherwise noted, parameters are in full temperature range.

Parameter	Condition	Min	Typ	Max	Unit
<b>ADC Channel</b>					
Output Rate			4.17-470		Hz
No Missing Codes Accuracy			24/16		Bits
Resolution	See "Output Noise and Resolution"				
Output Noise and Rate	See "Output Noise and Resolution"				
Integral Nonlinearity				±15	ppm of FSR
Offset Error			±1		µV
Offset Error Temperature Drift			±10		nV/°C
Full-Scale Error			±10		µV
Gain Temperature Drift			1		ppm/°C
Power Supply Rejection	A <sub>IN</sub> =1V/gain, Gain>4	100			dB
<b>Analog Input</b>					
Differential Input Voltage			±VREF/gain		V
Common-Mode Voltage	V <sub>CM</sub> = (A <sub>INP</sub> + A <sub>INN</sub> )/2, Gain= 4 to 128	0.5			V
Analog Input Voltage	Disable Input Buffer, Gain=1 or 2	GND- 30mV		AVDD+ 30mV	V
	Enable Input Buffer, Gain=1 or 2	GND+ 100mV		AVDD - 100mV	V
	Enable Input Instrumentation Amplifier, Gain=4 to 128	GND+ 300mV		AVDD- 1.1	V
Analog Input Current When Buffered Mode or Enable Internal Instrumentation Amplifier	Gain= 1 or 2, Update Rate < 100Hz			±1	nA
	Gain= 4 to 128, Update Rate < 100 Hz			±250	pA
	A <sub>IN3</sub> (+)/A <sub>IN3</sub> (-), Update Rate < 100 Hz			±1	nA



Parameter	Condition	Min	Typ	Max	Unit
Analog Input Current Temperature Drift When Buffered Mode or Enable Internal Instrumentation Amplifier			±2		pA/°C
Analog Input Current Relative to Voltage When Disable Input Buffer			±400		nA/V
Analog Input Current Temperature Drift When Disable Input Buffer			±50		pA/V/°C
Common-mode Rejection	DC, AIN = 1 V/gain, Gain ≥ 4	100			dB
	50 ± 1 Hz, 60 ± 1 Hz (FS[3:0] = 1010)	100			dB
	50 ± 1 Hz (FS[3:0] = 1001), 60 ± 1 Hz (FS[3:0] = 1000)	100			dB
<b>Internal Reference Voltage</b>					
Initial Resolution			1.17±0.0 1%		V
Temperature Drift			10	15	ppm/°C
<b>External Reference Voltage</b>					
Reference Voltage		0.1	2.5	AVDD	V
Average Current			400		nA/V
Average Current Temperature Drift			±0.03		nA/V/°C
Common-mode Rejection			100		dB
Detection Level		0.3V		0.65V	V
<b>Excitation Current Source (IEXC1, IEXC2)</b>					
Output Current			10/210 /1000		μA
Initial Tolerance			±5		%
Temperature Drift			200		ppm/°C
Current Match			±0.5		%
Temperature Drift Match			50		ppm/°C



Parameter	Condition	Min	Typ	Max	Unit
Voltage Regulation			2		%/V
Load Regulation			0.2		%/V
Output Voltage	Output Current 10 $\mu$ A, 210 $\mu$ A	GND-30mV		AVDD-0.65	V
	Output Current 1mA	GND-30mV		AVDD-1.1	V
<b>Temperature Sensor</b>					
Accuracy			$\pm 2$		$^{\circ}$ C
Sensitivity			0.82		mV/ $^{\circ}$ C
<b>Bias Voltage Generator</b>					
Bias Voltage			AVDD/2		V
<b>Clock</b>					
Internal Clock Frequency			64 $\pm$ 3%		kHz
Internal Clock Duty Cycle			50:50		%
External Clock Frequency			64		kHz
External Clock Duty Cycle		45:55		55:45	%
<b>Logic Input</b>					
CS Input Low Voltage	DVDD=5V			0.8	V
	DVDD=3V			0.4	V
CS Input High Voltage		2.0			V
SCLK and DIN Input High-level Threshold	DVDD=5V	2.8			V
	DVDD=3V	2			V
SCLK and DIN Input Low-level Threshold	DVDD=5V			1.8	V
	DVDD=3V			1.2	V
SCLK and DIN Input Hysteresis	DVDD=5V		0.98		V
	DVDD=3V		0.75		V
Input Current				$\pm 10$	$\mu$ A
Input Capacitance			10		pF





Parameter	Condition	Min	Typ	Max	Unit	
<b>Digital Logic Output</b>						
Output High-level Voltage	DVDD=3V, ISOURCE=100μA	DVDD-0.6			V	
	DVDD=5V, ISOURCE=200μA	4			V	
Output Low-level Voltage	DVDD=3V, ISINK=100μA			0.4	V	
	DVDD=5V, ISINK=1.6mA			0.4	V	
Leakage Current, Floating-State				±10	μA	
Output Capacitance, Floating-State			10		pF	
<b>System Calibration</b>						
Full-Scale Calibration				1.05×FS	V	
Zero-Scale Calibration		-1.05×FS		1.05×FS	V	
<b>Power Dissipation</b>						
Power Supply Voltage	AVDD	2.7		5.25	V	
	DVDD	2.7		5.25	V	
Power Supply Current	AVDD=3V	Disable Input Buffer		110	140	μA
	AVDD=5V			125	140	μA
	AVDD=3V	Enable Input Buffer, Gain= 1 or 2		130	180	μA
	AVDD=5V			165	180	μA
	AVDD=3V	MS5192ET, Gain= 4 to 128		300	400	μA
	AVDD=5V			350	400	μA
	AVDD=3V	MS5193ET, Gain= 4 to 128,		380	500	μA
	AVDD=5V			440	500	μA
Shutdown Current				1	μA	



**OUTPUT NOISE and RESOLUTION (EXTERNAL REFERENCE)**

The table below gives the output RMS noise for the MS5192ET and the MS5193ET with some update rates and gain settings. These data are for bipolar input range and 2.5V external reference voltage source. These values are typical when the differential input voltage is 0V. It is important to note that the effective resolution is calculated from root mean square noise. These data are typical values rounded to the nearest LSB.

 Output RMS Noise ( $\mu\text{V}$ ) VS. Gain and Update Rate for the MS5192ET and the MS5193ET with 2.5V Reference Voltage

Update Rate	Gain=1	Gain=2	Gain=4	Gain=8	Gain=16	Gain=32	Gain=64	Gain=128
4.17Hz	0.722	0.361	0.181	0.271	0.045	0.023	0.011	0.017
8.33Hz	0.722	0.361	0.181	0.090	0.090	0.045	0.034	0.017
16.7Hz	0.722	1.084	0.542	0.271	0.135	0.090	0.023	0.028
33.2Hz	1.445	1.084	0.542	0.361	0.181	0.068	0.034	0.034
62Hz	2.167	2.167	0.722	0.632	0.316	0.068	0.056	0.051
123Hz	2.890	3.251	0.903	0.813	0.361	0.158	0.056	0.062
242Hz	5.057	5.780	1.987	1.084	0.587	0.294	0.113	0.147
470Hz	6.502	5.419	2.348	1.174	0.587	0.429	0.169	0.119

Effective Resolution (Bits) VS. Gain and Update Rate for the MS5193ET with 2.5V Reference Voltage

Update Rate	Gain=1	Gain=2	Gain=4	Gain=8	Gain=16	Gain=32	Gain=64	Gain=128
4.17Hz	22.9	22.9	22.9	21.9	22.9	22.9	22.9	21.3
8.33Hz	22.8	21.9	22.9	22.9	21.9	21.2	21.3	21.3
16.7Hz	22.9	21.3	21.3	21.3	21.3	20.9	21.9	20.6
33.2Hz	21.9	21.3	21.3	20.9	20.9	21.3	21.3	20.3
62Hz	21.3	20.3	20.9	20.1	20.1	21.3	20.6	19.8
123Hz	20.9	19.8	20.6	19.8	19.9	20.1	20.6	19.5
242Hz	20.1	18.9	19.5	19.3	19.2	19.2	19.6	18.2
470Hz	19.8	19.0	19.2	19.2	19.2	18.7	19.0	18.5

Effective Resolution (Bits) VS. Gain and Update Rate for the MS5192ET with 2.5V Reference Voltage

Update Rate	Gain=1	Gain=2	Gain=4	Gain=8	Gain=16	Gain=32	Gain=64	Gain=128
4.17Hz	16.0	16.0	16.0	16.0	16.0	16.0	16.0	16.0
8.33Hz	16.0	16.0	16.0	16.0	16.0	16.0	16.0	16.0
16.7Hz	16.0	16.0	16.0	16.0	16.0	16.0	16.0	16.0
33.2Hz	16.0	16.0	16.0	16.0	16.0	16.0	16.0	16.0
62Hz	16.0	16.0	16.0	16.0	16.0	16.0	16.0	16.0
123Hz	16.0	16.0	16.0	16.0	16.0	16.0	16.0	16.0
242Hz	16.0	16.0	16.0	16.0	16.0	16.0	16.0	16.0
470Hz	16.0	16.0	16.0	16.0	16.0	16.0	16.0	16.0



**OUTPUT NOISE and RESOLUTION (INTERNAL REFERENCE)**

The table below gives the output RMS noise for the MS5192ET and the MS5193ET with some update rates and gain settings. These data are for bipolar input range and 1.17V internal reference voltage source. These values are typical when the differential input voltage is 0V. It is important to note that the effective resolution is calculated from root mean square noise. These data are typical values rounded to the nearest LSB.

 Output RMS Noise ( $\mu\text{V}$ ) VS. Gain and Update Rate for the MS5192ET and the MS5193ET with 1.17V Reference Voltage

Update Rate	Gain=1	Gain=2	Gain=4	Gain=8	Gain=16	Gain=32	Gain=64	Gain=128
4.17Hz	0.607	0.553	0.260	0.200	0.112	0.047	0.025	0.025
8.33Hz	0.845	0.607	0.385	0.200	0.141	0.045	0.029	0.038
16.7Hz	1.257	1.528	0.396	0.366	0.167	0.083	0.030	0.031
33.2Hz	1.712	1.365	0.623	0.317	0.183	0.078	0.043	0.035
62Hz	2.363	2.363	0.759	0.447	0.219	0.110	0.070	0.059
123Hz	3.901	2.417	1.235	0.764	0.336	0.133	0.074	0.071
242Hz	5.267	6.762	1.804	0.986	0.607	0.261	0.110	0.105
470Hz	7.673	7.727	2.108	1.151	0.578	0.436	0.146	0.079

Effective Resolution (Bits) VS. Gain and Update Rate for the MS5193ET with 1.17V Reference Voltage

Update Rate	Gain=1	Gain=2	Gain=4	Gain=8	Gain=16	Gain=32	Gain=64	Gain=128
4.17Hz	22.7	21.8	21.9	21.3	21.1	21.4	21.3	20.3
8.33Hz	22.2	21.7	21.3	21.3	20.8	21.4	21.1	19.7
16.7Hz	21.6	20.4	21.3	20.4	20.5	20.5	21.0	20.0
33.2Hz	21.2	20.5	20.6	20.6	20.4	20.6	20.5	19.8
62Hz	20.7	19.7	20.4	20.1	20.2	20.1	19.8	19.0
123Hz	20.0	19.7	19.7	19.4	19.5	19.9	19.7	18.8
242Hz	19.6	18.2	19.1	19.0	18.7	18.9	19.2	18.2
470Hz	19.0	18.0	18.9	18.8	18.8	18.2	18.7	18.6

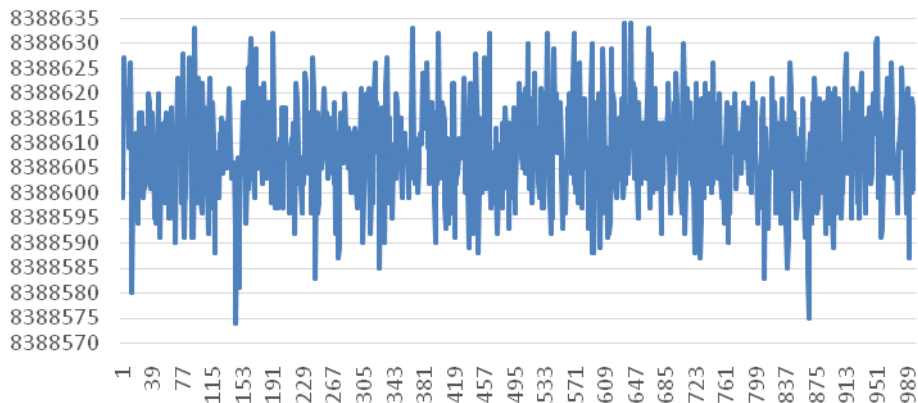
Effective Resolution (Bits) VS. Gain and Update Rate for the MS5192ET with 1.17V Reference Voltage

Update Rate	Gain=1	Gain=2	Gain=4	Gain=8	Gain=16	Gain=32	Gain=64	Gain=128
4.17Hz	16.0	16.0	16.0	16.0	16.0	16.0	16.0	16.0
8.33Hz	16.0	16.0	16.0	16.0	16.0	16.0	16.0	16.0
16.7Hz	16.0	16.0	16.0	16.0	16.0	16.0	16.0	16.0
33.2Hz	16.0	16.0	16.0	16.0	16.0	16.0	16.0	16.0
62Hz	16.0	16.0	16.0	16.0	16.0	16.0	16.0	16.0
123Hz	16.0	16.0	16.0	16.0	16.0	16.0	16.0	16.0
242Hz	16.0	16.0	16.0	16.0	16.0	16.0	16.0	16.0
470Hz	16.0	16.0	16.0	16.0	16.0	16.0	16.0	16.0



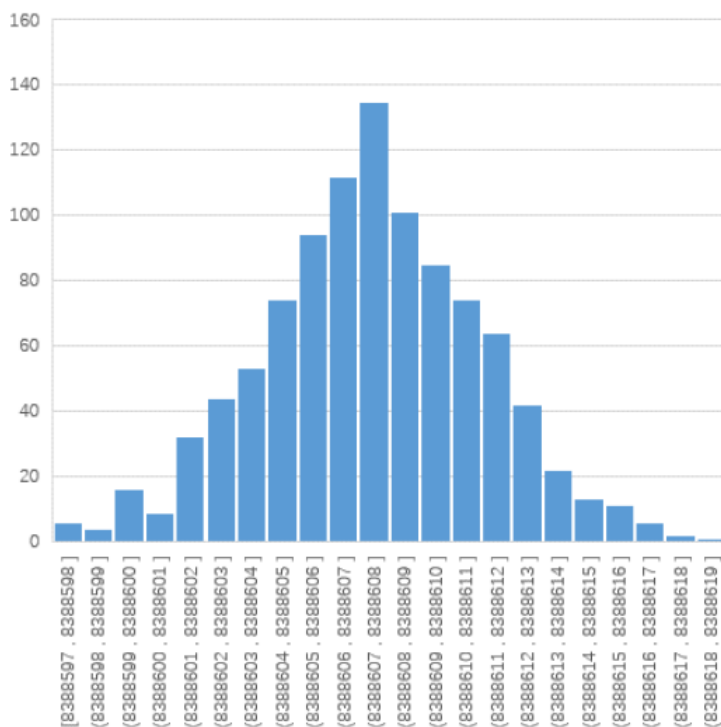
TYPICAL CHARACTERISTICS CURVES

Noise FS=4.17Hz



MS5193ET Noise (AVDD=4V, VREF=2.048, Gain=64, Update Rate=4.17Hz)

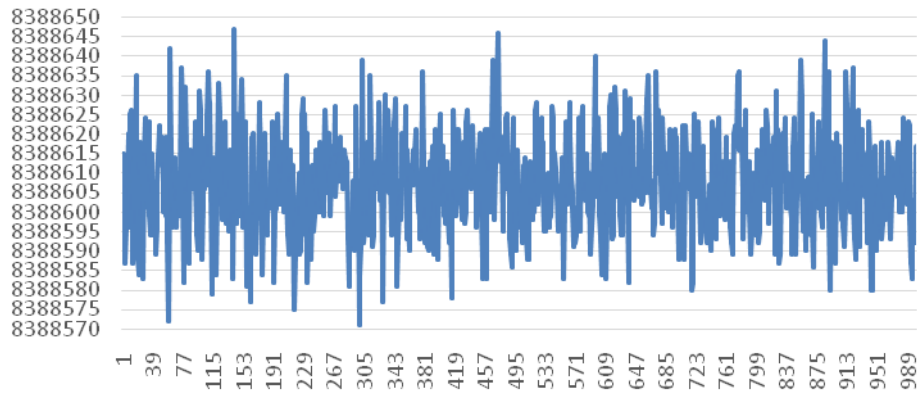
Noise Distribution Histogram FS=4.17Hz



MS5193ET Noise Distribution Histogram (AVDD=4V, VREF=2.048, Gain= 64, Update Rate=4.17Hz)

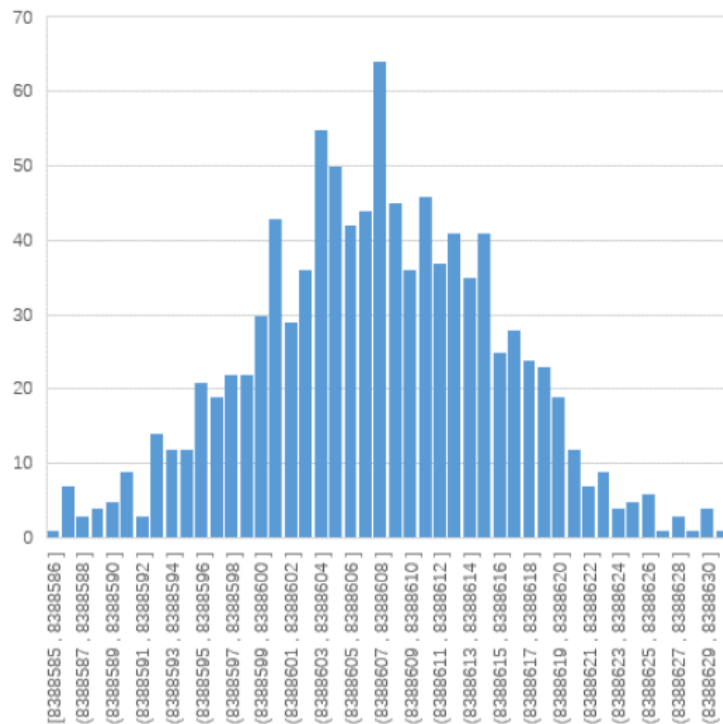


Noise FS=16.7Hz



MS5193ET Noise (AVDD=4V, VREF=2.048, Gain=64, Update Rate=16.7Hz)

Noise Distribution Histogram FS=16.7Hz

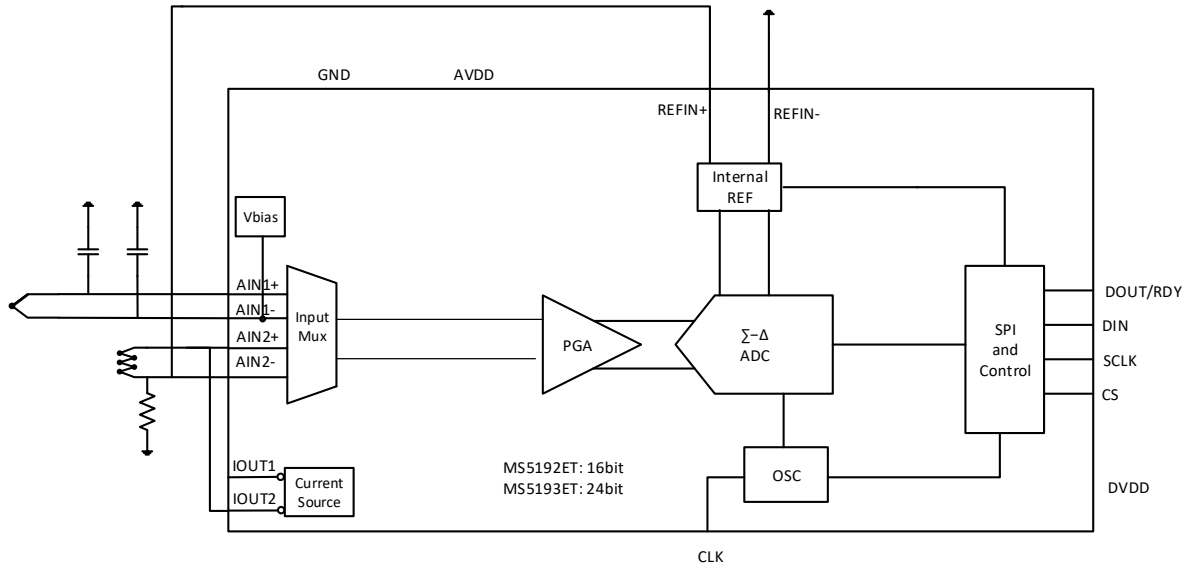


MS5193ET Noise Distribution Histogram (AVDD=4V, VREF=2.048, Gain=64, Update Rate=16.7Hz)



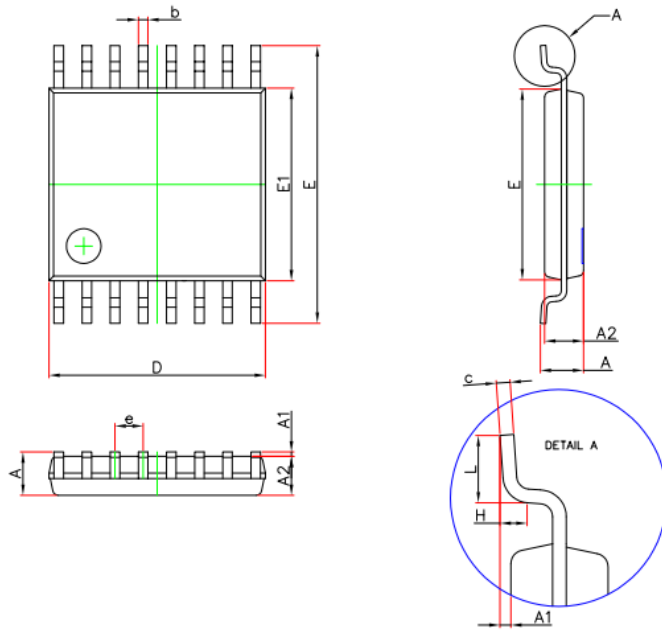
**TYPICAL APPLICATION DIAGRAM**

The figure is a connection diagram for thermocouple measurement application for MS5192ET/MS5193ET .



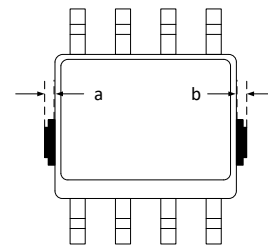
**PACKAGE OUTLINE DIMENSIONS**

**TSSOP16**



Note: In addition to the package size, a and b are allowed to have the maximum size of 0.15mm for waste glue simultaneously.

The diagram is as follows: taking SOP8 package as an example.

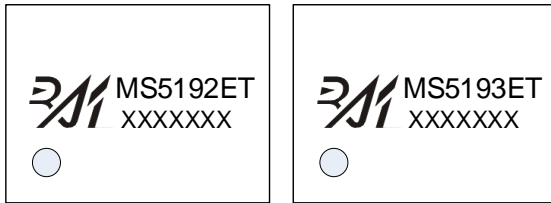


Symbol	Dimensions in Millimeters		Dimensions in Inches	
	Min	Max	Min	Max
A	-	1.200	-	0.047
A1	0.050	0.150	0.002	0.006
A2	0.800	1.000	0.031	0.039
b	0.190	0.300	0.007	0.012
c	0.090	0.200	0.004	0.008
D	4.900	5.100	0.193	0.201
E	6.250	6.550	0.246	0.258
E1	4.300	4.500	0.169	0.177
e	0.650(BSC)		0.026(BSC)	
L	0.500	0.700	0.020	0.028
H	0.250(TYP)		0.010(TYP)	
θ	1°	7°	1°	7°



**MARKING and PACKAGING SPECIFICATION**

**1. Marking Drawing Description**



Product Name : MS5192ET, MS5193ET

Product Code : XXXXXXX

**2. Marking Drawing Demand**

Laser printing, contents in the middle, font type Arial.

**3. Packaging Specification**

Device	Package	Piece/Reel	Reel/Box	Piece/Box	Box/Carton	Piece/Carton
MS5192ET	TSSOP16	3000	1	3000	8	24000
MS5193ET	TSSOP16	3000	1	3000	8	24000





**STATEMENT**

- All Revision Rights of Datasheets Reserved for Ruimeng. Don't release additional notice.  
Customer should get latest version information and verify the integrity before placing order.
- When using Ruimeng products to design and produce, purchaser has the responsibility to observe safety standard and adopt corresponding precautions, in order to avoid personal injury and property loss caused by potential failure risk.
- The process of improving product is endless. And our company would sincerely provide more excellent product for customer.



**MOS CIRCUIT OPERATION PRECAUTIONS**

Static electricity can be generated in many places. The following precautions can be taken to effectively prevent the damage of MOS circuit caused by electrostatic discharge:

1. The operator shall ground through the anti-static wristband.
2. The equipment shell must be grounded.
3. The tools used in the assembly process must be grounded.
4. Must use conductor packaging or anti-static materials packaging or transportation.

